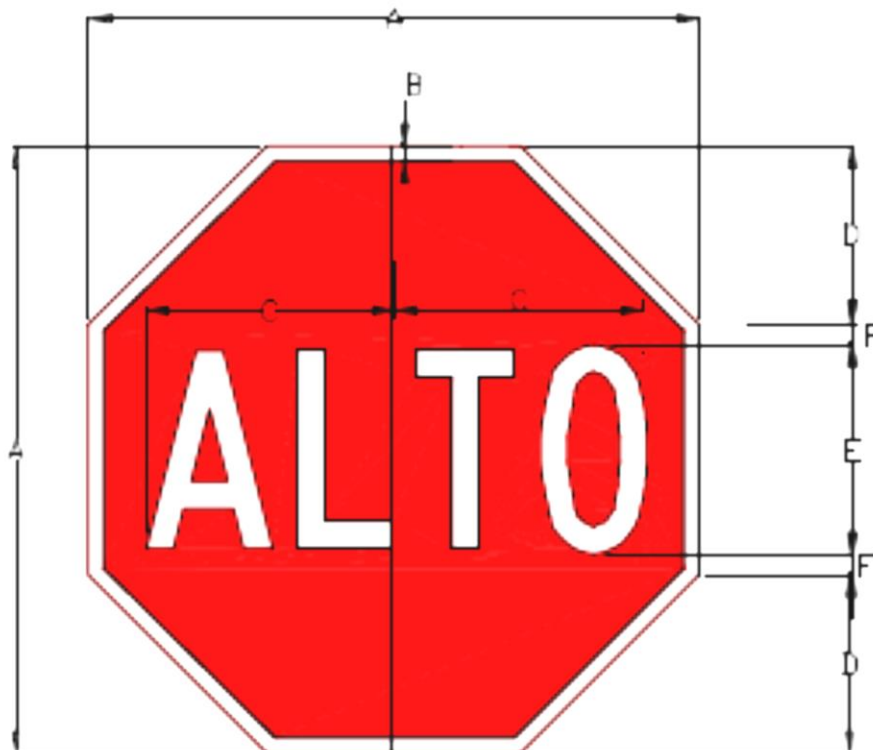


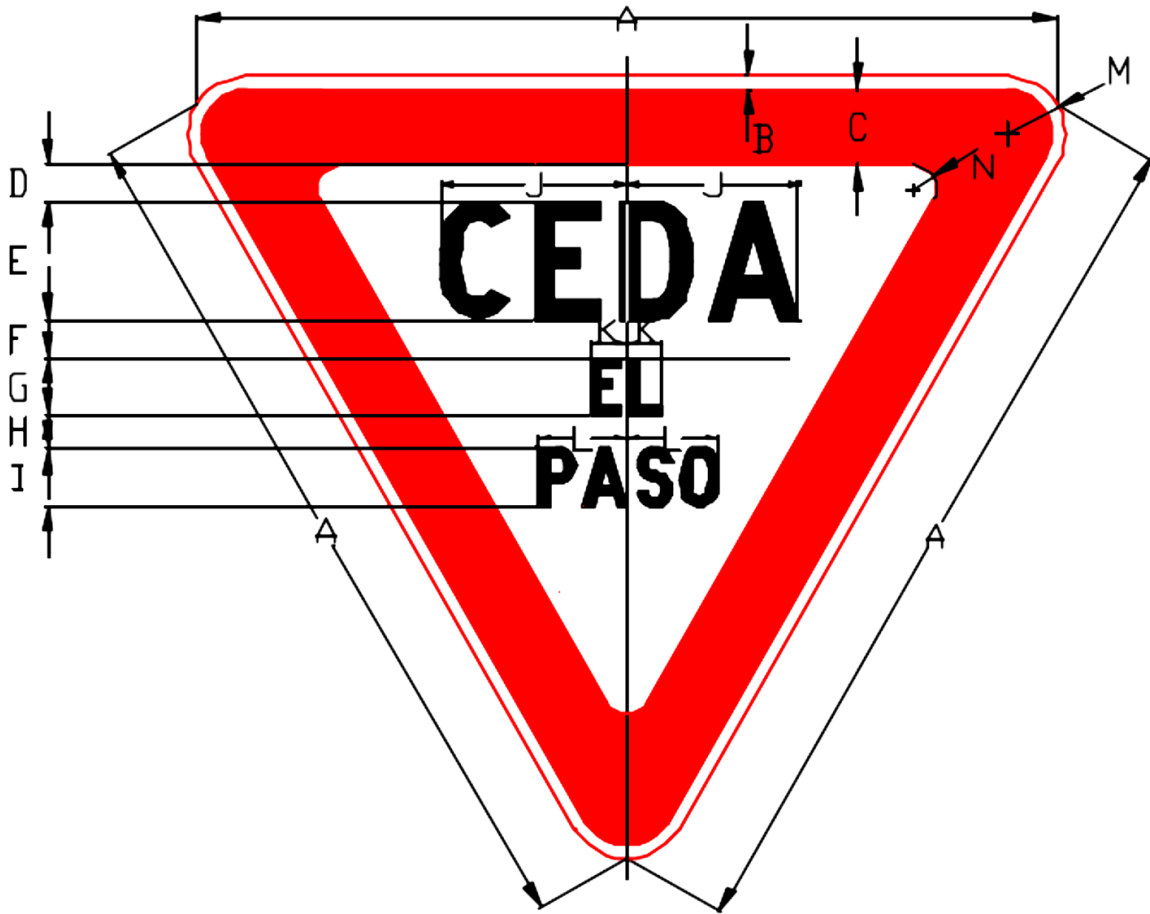
## ANEXO DE DISEÑOS SEÑALIZACION VERTICAL

### 3.1



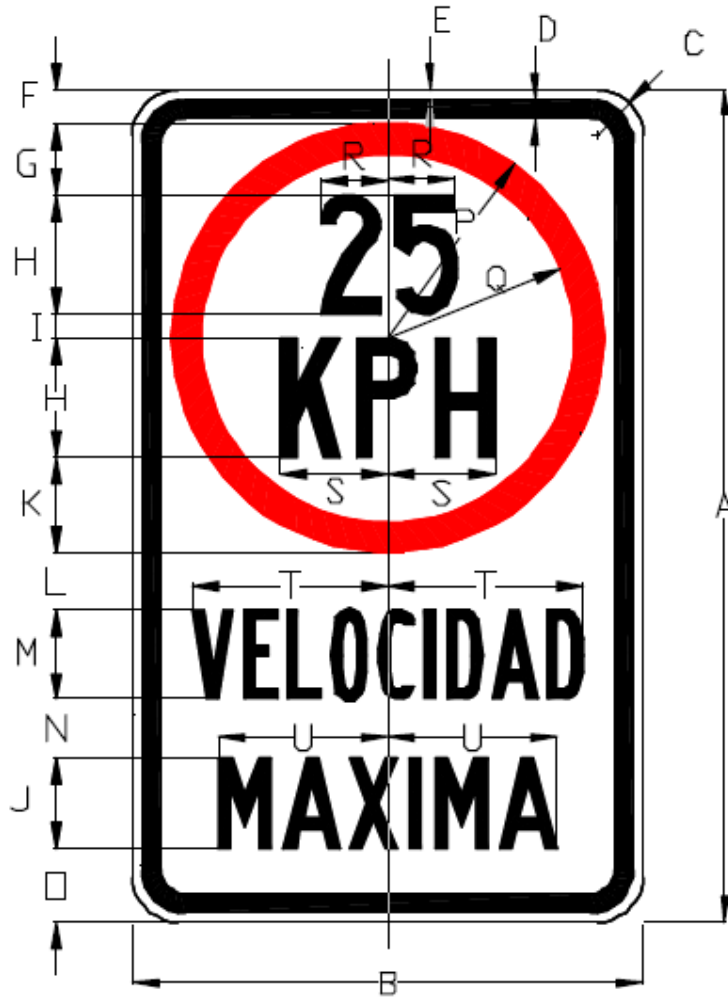
	DIMENSIONES (CENTIMETROS)					
	A	B	C	D	E	F
BICI.	45.7	1.0	18.2	13.4	15C*	1.5
MIN.	61.0	1.6	24.0	17.9	20C*	2.0
EST.	76.2	1.9	30.2	22.4	25C*	2.5
ESP.	91.4	2.2	36.0	26.9	30C*	3.0

\* Nota: Esta letra representa la serie de letras a utilizar en la leyenda.



**R-1-2**

	DIMENSIONES (CENTIMETROS)													
	A	B	C	D	E	F	G	H	I	J	K	L	M	N
MIN.	61.0	0.9	5.2	2.6	7.5D	2.8	5D	2.4	5D	9.9	3.8	8.8	4.2	1.7
EST.	76.2	1.1	6.5	3.2	10D	3.4	5D	2.9	5D	12.4	3.8	8.8	5.3	2.1
ESP.	91.4	1.3	7.8	3.8	12.5D	4.0	7.5D	3.4	7.5D	14.9	5.6	13.3	6.3	2.5

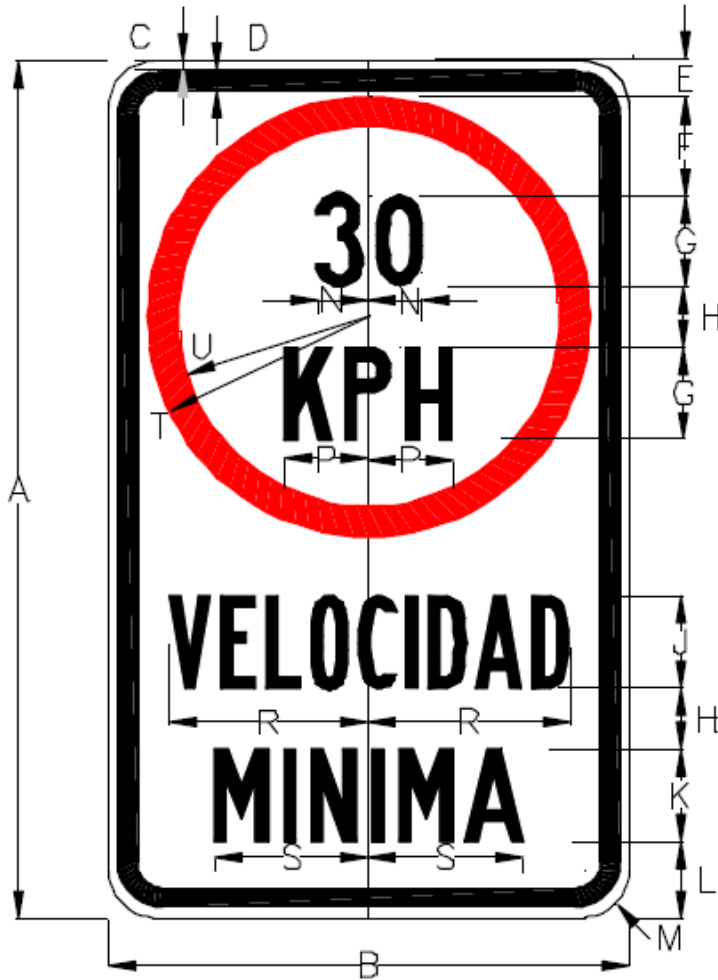


	DIMENSIONES (CENTIMETROS)										
	A	B	C	D	E	F	G	H	I	J	K
MIN.	71.1	45.7	3.8	1.6	0.9	2.9	6.1	7.5C	2.0	7.5B	8.1
EST.	91.4	61.0	4.9	2.1	1.2	3.7	7.8	10C	2.6	10B	10.4
ESP.	137.2	91.4	7.3	3.1	1.7	5.6	11.8	15C	3.8	10B	15.6

	DIMENSIONES (CENTIMETROS)									
	L	M	N	O	P	Q	R	S	T	U
MIN.	4.9	7.5A	5.1	6.3	18.0	15.5	6.7	8.6	16.3	11.3
EST.	6.3	10A	6.5	8.1	23.2	20.0	8.8	5.7	21.7	15
ESP.	9.4	10A	9.8	12.1	34.8	30.0	13.3	8.5	32.8	22.5



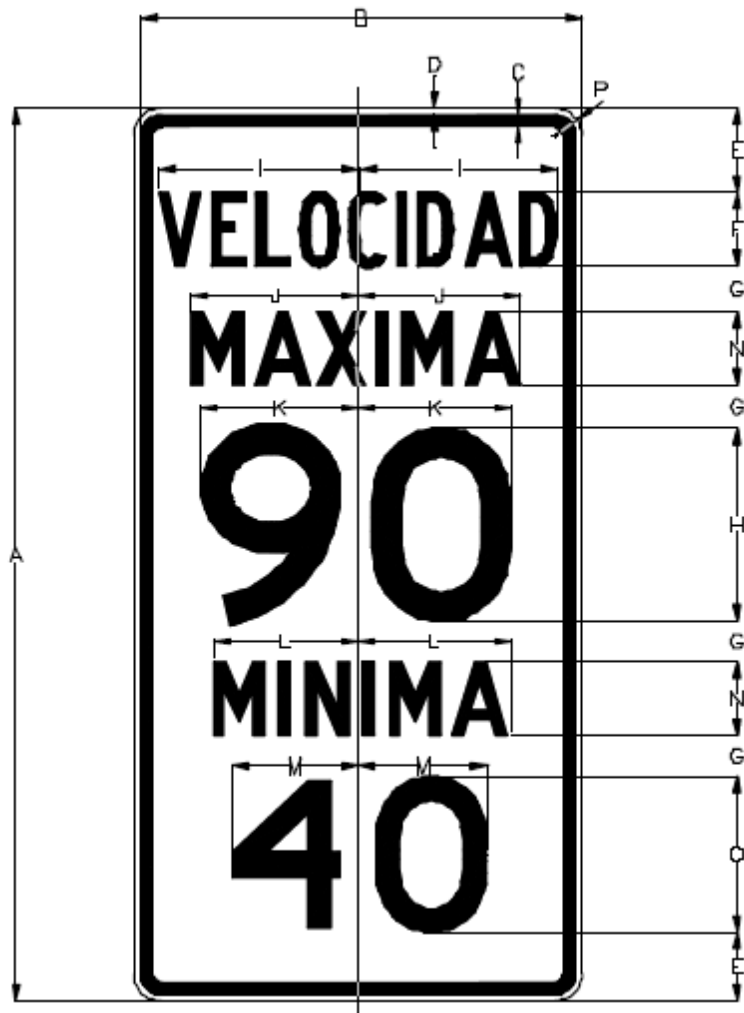
	DIMENSIONES(CENTIMETROS)												
	A	B	C	D	E	F	G	H	J	K	L	M	N
MIN.	45.7	1.6	0.9	7.0	7.5C	3.3	12.5D	3.4	5D	18.3	10.3	6.2	2.9
EST.	61.0	2.1	1.2	10.0	10C	4.2	15D	4.3	7.5D	24.2	12.3	9.4	3.8
ESP.	91.4	3.1	1.7	15.0	15C	6.9	20D	7.0	12.5D	36.4	16.3	15.5	5.7



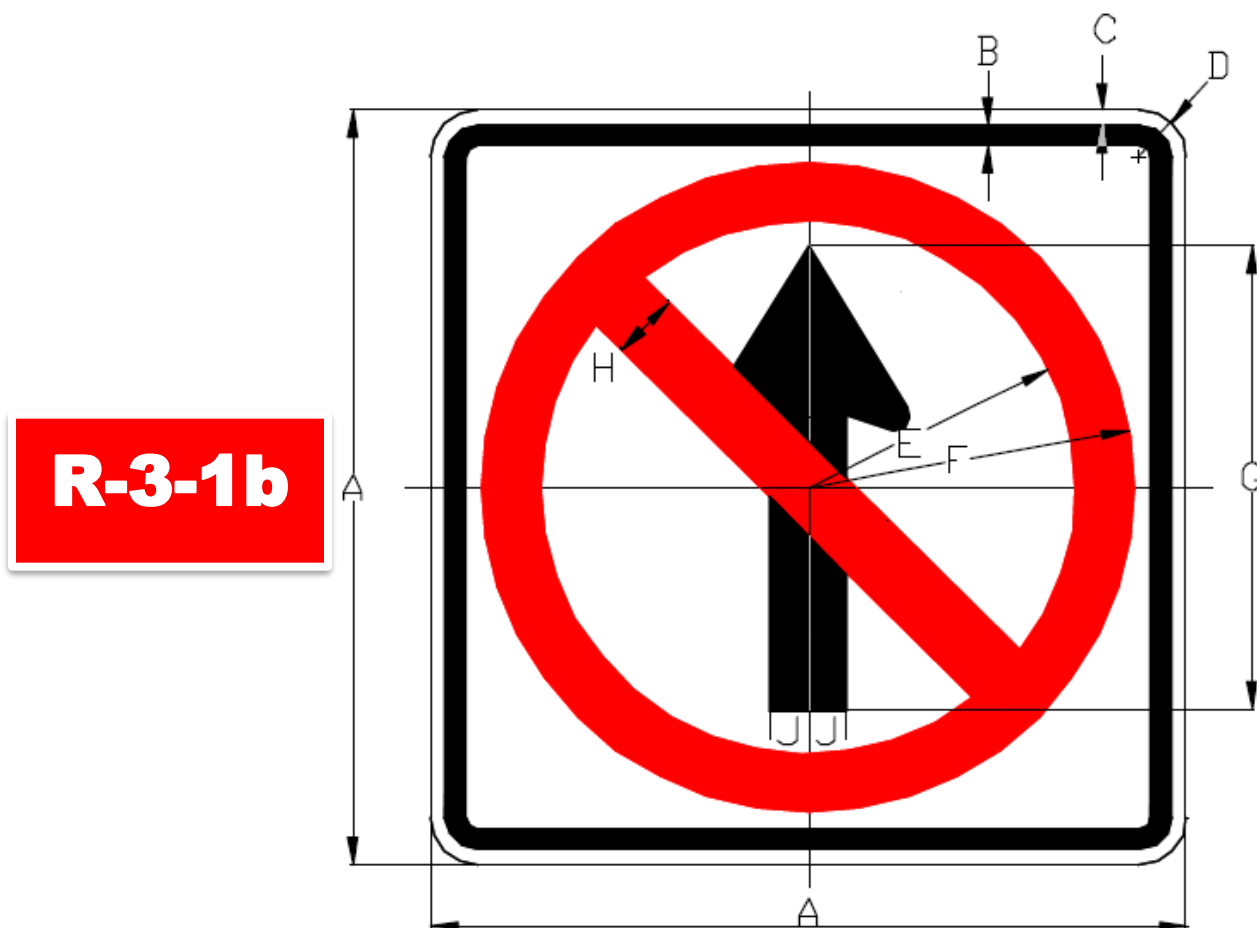
**R-2-6**

	DIMENSIONES (CENTIMETROS)									
	A	B	C	D	E	F	G	H	J	K
MIN.	71.1	45.7	0.9	1.6	2.9	8.0	7.5C	5.0	7.5B	7.5C
EST.	61.0	91.4	1.2	2.1	3.7	10.3	10C	6.5	10B	10C
ESP.	91.4	137.2	1.7	3.1	5.6	15.5	15C	9.7	15B	15C

	DIMENSIONES (CENTIMETROS)							
	L	M	N	P	R	S	T	U
MIN.	6.3	3.8	4.4	6.7	16.3	12.6	18.0	15.5
EST.	8.1	4.9	5.8	8.8	21.7	16.6	23.2	20.0
ESP.	12.1	7.4	8.8	13.3	32.8	25.0	34.8	30.0

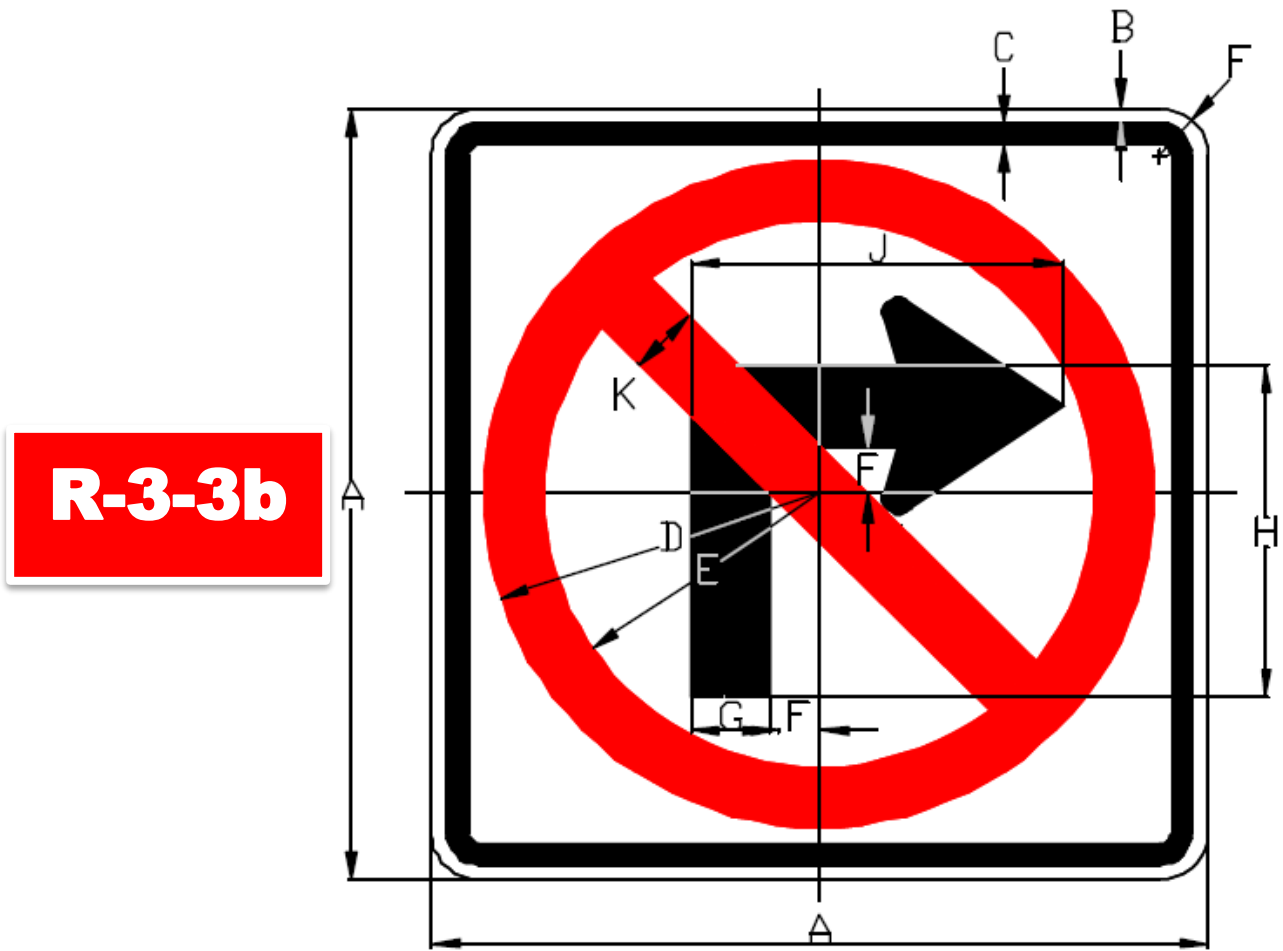


	DIMENSIONES(CENTIMETROS)															
	A	B	C	D	E	F	G	H	I	J	K	L	M	N	O	P
EST	121.9	61.0	1.6	1.0	10.2	10B	6.4	25D	21.7	18.6	20.3	16.6	16.6	10C	20D	3.8
ESP.	181.2	91.4	2.4	1.6	15.2	15B	10.2	35D	32.8	28.1	30.4	25.0	24.9	15C	30D	4.8



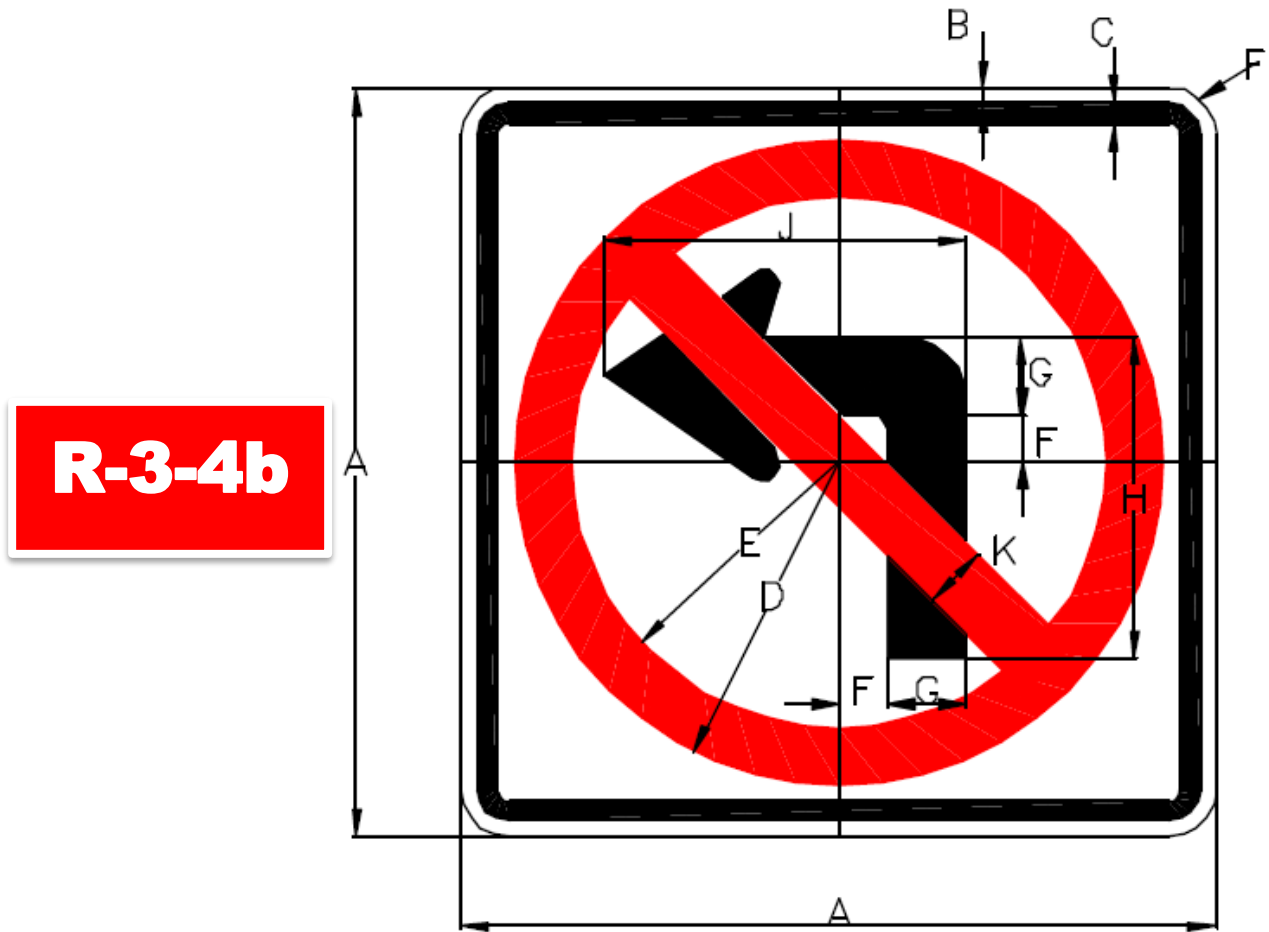
**R-3-1b**

	DIMENSIONES (CENTIMETROS)								
	A	B	C	D	E	F	G	H	J
MIN.	61.0	1.7	1.2	3.8	21.6	26.3	37.3	5.4	3.1
EST.	76.2	1.9	1.3	4.7	27.0	33.3	46.8	6.3	4.0
ESP.	91.4	2.2	1.6	5.7	32.4	40.0	56.2	7.6	4.8

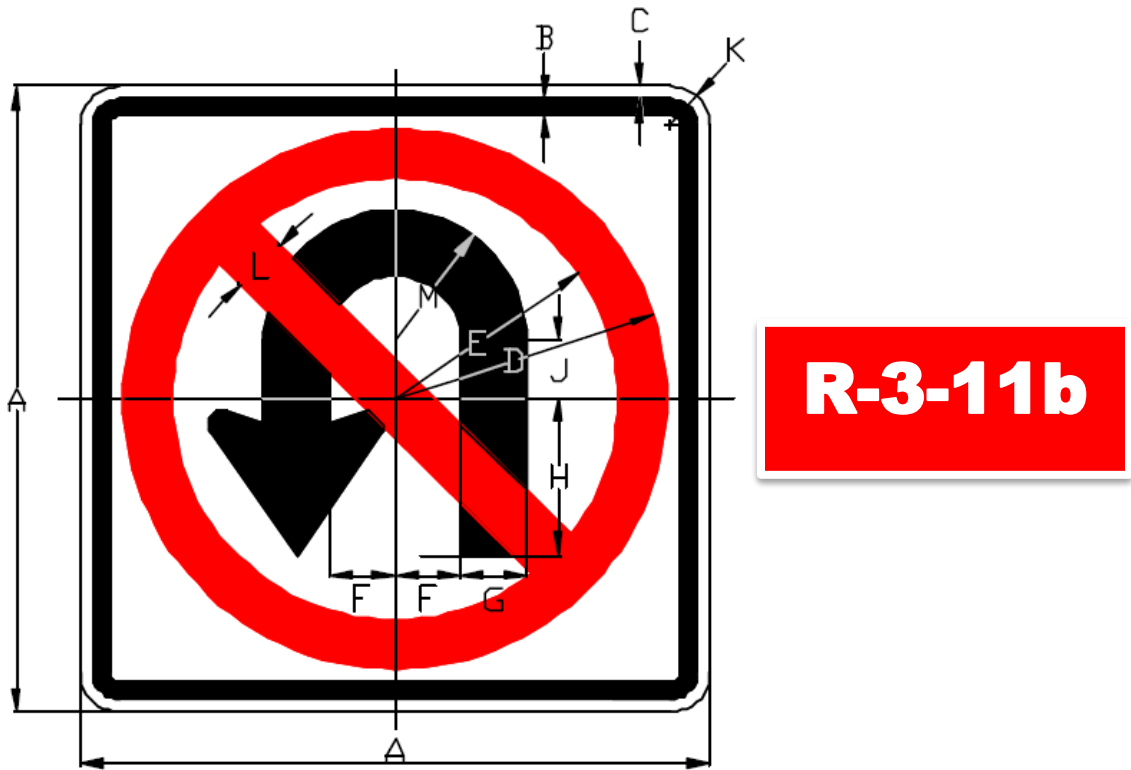


	DIMENSIONES (CENTIMETROS)									
	A	B	C	D	E	F	G	H	J	K
MIN.	61.0	0.9	1.6	26.7	21.6	3.8	6.3	26.7	29.2	5.0
EST.	76.2	1.3	1.9	33.3	27.0	4.8	7.9	33.3	36.8	6.4
ESP.	91.4	1.6	2.2	40.0	32.4	5.7	9.5	40.0	43.8	7.6





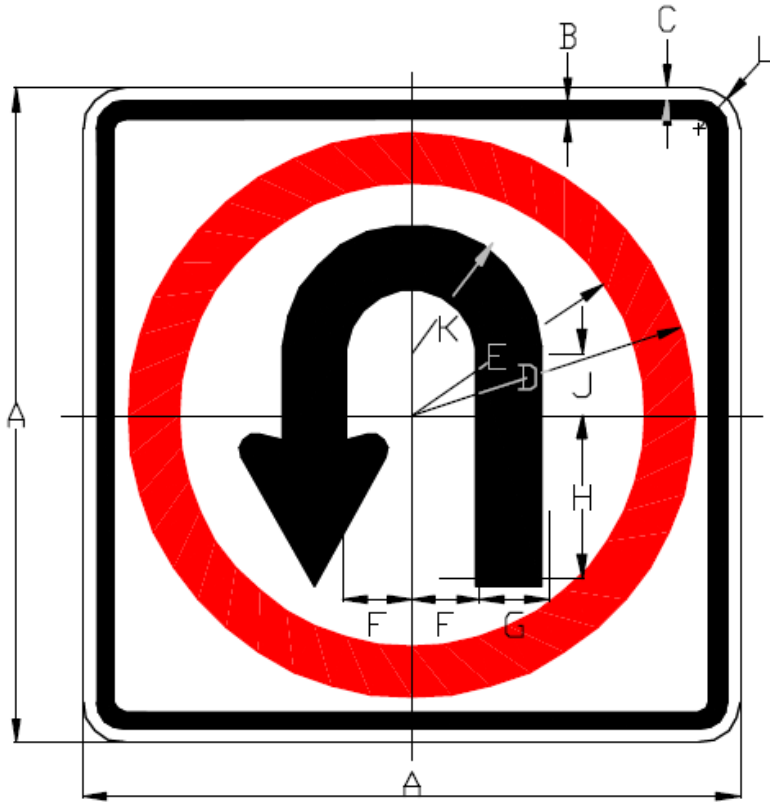
	DIMENSIONES (CENTIMETROS)									
	A	B	C	D	E	F	G	H	J	K
MIN.	61.0	0.9	1.6	26.7	21.6	3.8	6.3	26.7	29.2	5.0
EST.	76.2	1.3	1.9	33.3	27.0	4.8	7.9	33.3	36.8	6.4
ESP.	91.4	1.6	2.2	40.0	32.4	5.7	9.5	40.0	43.8	7.6



**R-3-11b**

	DIMENSIONES (CENTIMETROS)											
	A	B	C	D	E	F	G	H	J	K	L	M
MIN	61.0	1.6	0.9	26.7	21.6	6.3	6.3	15.2	5.7	3.8	5.8	12.7
EST	76.2	2.0	1.2	33.3	27.0	7.9	7.9	19.0	7.1	4.8	6.3	15.9
ESP.	91.4	2.4	1.4	40.0	32.4	9.5	9.5	22.9	8.6	5.7	7.6	19.0

3.8



**R-3-12b**

	DIMENSIONES (CENTIMETROS)										
	A	B	C	D	E	F	G	H	J	K	L
MIN	610	1.6	0.9	26.7	21.6	6.3	6.3	15.2	5.7	12.7	3.8
EST	762	2.0	1.2	33.3	27.0	7.9	7.9	19.0	7.1	15.9	4.8
ESP	914	2.4	1.4	40.0	32.4	9.5	9.5	22.9	8.6	19.0	5.7



**R-7-6a**

3.9

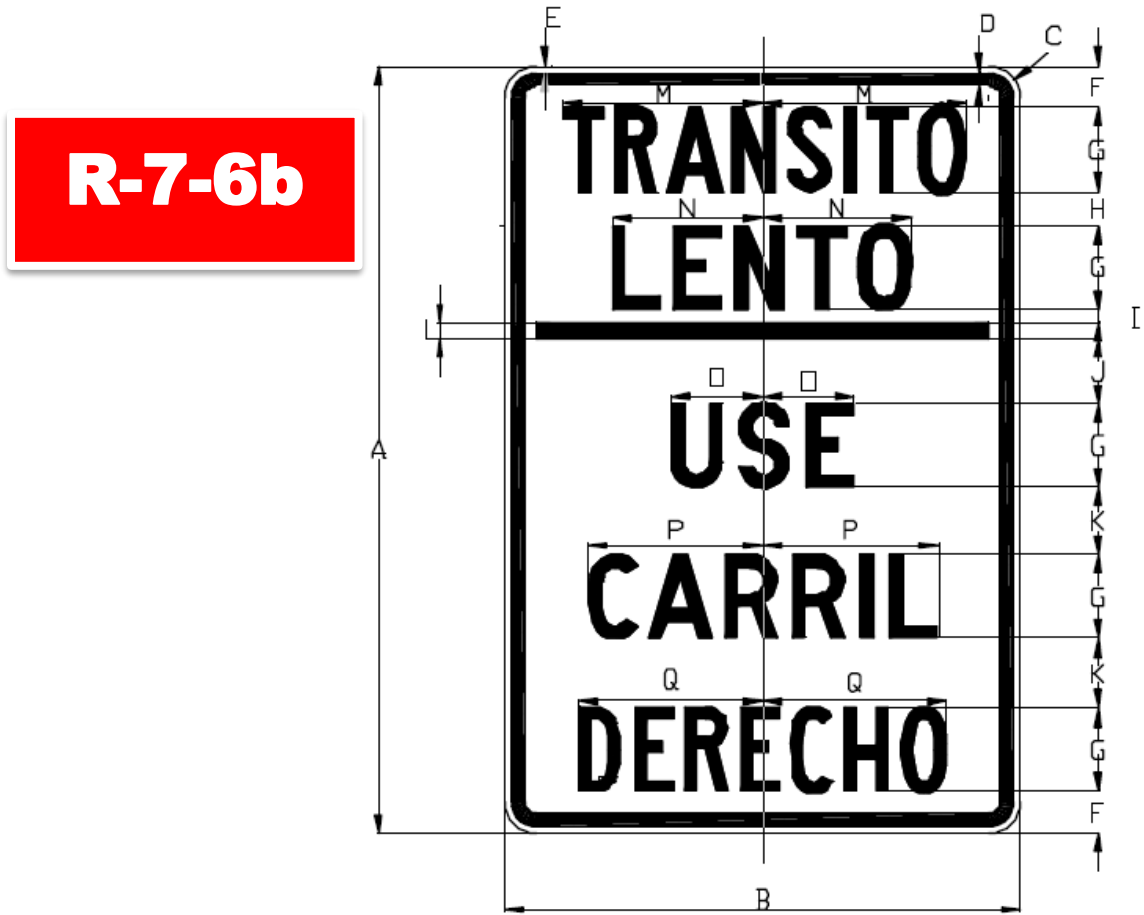
	DIMENSIONES (CENTIMETROS)																
	A	B	C	D	E	F	G	H	I	J	K	L	M	N	O	P	Q
EST.	91.4	61	3.8	1.6	0.8	3	49.6	0.8	10C	2	4	24.8	21.3	24.2	17.2	21.7	13.2
ESP.	137.2	91.4	5.7	2.4	1.2	4.5	74.4	1.2	15C	3.0	6.0	37.2	32.0	36.4	25.9	32.7	19.8

3.10



	DIMENSIONES (CENTIMETROS)									
	A	B	C	D	E	F	G	H	J	K
EST.	91.4	61.0	1.9	0.8	3.8	3.7	46.4	3.5	7.5C	7.5B
ESP.	137.2	91.4	2.6	1.3	5.7	5.6	69.7	5.2	10C	10B

	DIMENSIONES (CENTIMETROS)									
	L	M	N	P	Q	R	S	T	U	
EST.	5.0	4.5	15.4	25.6	3.2	20.0	23.2	13.4	19.1	
ESP.	7.5	6.0	20.4	33.8	4.8	30.0	34.8	20.1	28.6	

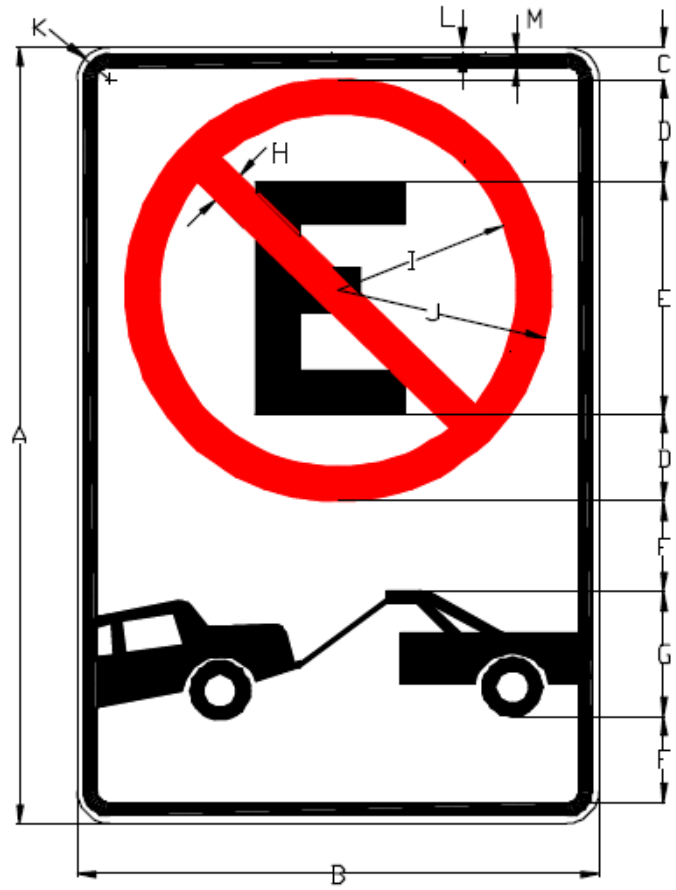


**R-7-6b**

DIMENSIONES (CENTIMETROS)									
	A	B	C	D	E	F	G	H	I
EST.	91.4	61.0	3.8	1.6	0.8	5.0	10C	4.0	1.6
ESP.	137.2	91.4	5.9	2.5	1.2	7.7	15C	6.2	2.5

DIMENSIONES (CENTIMETROS)								
	J	K	L	M	N	O	P	Q
EST.	7.7	8.3	2.0	23.5	14.8	9.0	16.2	21.7
ESP.	11.9	12.8	3.1	35.5	22.4	13.5	25.9	32.7

**R-8-3b**



	DIMENSIONES (CENTIMETROS)											
	A	B	C	D	E	F	G	H	J	K	L	M
MIN.	71.1	45.7	3.7	6.6	23.3	5.8	11.4	2.7	19.3	16.6	0.9	1.6
EST.	91.4	61.0	4.8	8.5	30.0	7.5	14.7	3.5	24.8	21.3	1.2	2.1
ESP.	137.2	91.4	7.2	12.8	45.0	11.2	22.1	5.3	37.2	32.0	1.7	3.1



**R-8-26**

DIMENSIONES (CENTIMETROS)								
	A	B	C	D	E	F	G	H
EST.	91.4	61.0	0.8	1.6	3.8	4.0	10.5	30.0
ESP.	137	91.4	1.2	2.4	5.7	6.0	15.7	45.0

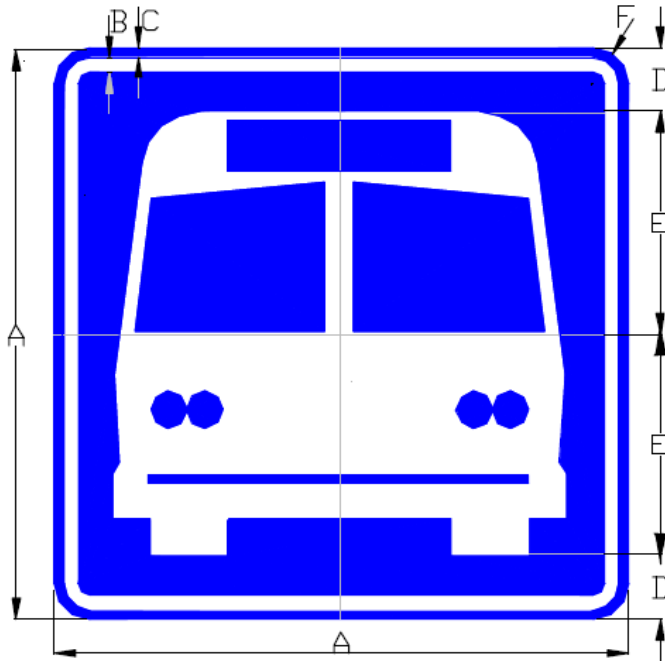
DIMENSIONES (CENTIMETROS)								
	I	J	K	L	M	N	O	P
EST.	5.0	10D	7.5	9.9	21.3	24.8	24.7	18.3
ESP.	7.5	15D	11.2	14.8	31.9	37.2	37.2	27.5





DIMENSIONES (CENTIMETROS)									
	A	B	C	D	E	F	G	H	I
EST.	91.4	61.0	0.8	1.6	3.8	5.8	6.2	18.0	6.0
ESP.	137.2	91.4	1.2	2.4	5.7	8.6	9.3	27.0	10.0

DIMENSIONES (CENTIMETROS)									
	J	K	L	M	N	O	P	R	S
EST.	5C	5.4	30.4	8.4	14.8	12.8	14.6	15.2	10.6
ESP.	7.5C	8.0	45.6	12.6	22.2	19.2	21.7	22.8	15.8



**IS-3-1**

	DIMENSIONES (CENTIMETROS)					
	A	B	C	D	E	F
MN	46	1.2	0.8	5.7	17.3	2.9
EST.	61	1.6	1.0	7.6	22.9	3.8

**R-10-6**



	DIMENSIONES (CENTIMETROS)							
	A	B	D	E	F	G	H	I
EST.	91.4	61.0	3.8	4	16.9	15.6	2.5	7.5C
ESP.	137.2	91.4	5.7	6.0	25.4	23.4	3.8	12.5C

	DIMENSIONES (CENTIMETROS)									
	J	K	L	M	N	O	P	Q	R	
EST.	7.5	21.3	24.8	15.6	15.1	15.6	19.4	0.8	1.6	
ESP.	11.3	32.0	37.2	23.4	25.1	25.9	32.2	1.2	2.4	

**R-10-8**



	DIMENSIONES (CENTIMETROS)									
	A	B	C	D	E	F	G	H	J	K
EST	91.4	61.0	3.8	4.0	13.1	23.4	4.4	7.5D	7.5 C	3.0
ESP	137.2	91.4	5.7	6.0	19.6	35.1	6.6	12.5 D	12.5 C	4.5

	DIMENSIONES (CENTIMETROS)									
	L	M	N	O	P	Q	R	S	T	U
EST	5.0	3.5	24.8	21.3	12.4	21.1	21.8	19.4	0.8	1.6
ESP	7.5	5.2	37.2	31.9	18.6	35.1	36.1	32.0	1.2	2.4



**R-10-10**

	DIMENSIONES (CENTIMETROS)										
	A	B	C	D	E	F	G	H	J	K	L
EST	91.4	61.0	3.8	4.0	16.0	17.6	4.4	7.5D	7.5C	3.0	5.0
ESP	137.2	91.4	5.7	6.0	24.0	26.4	6.6	12.5D	12.5C	4.5	7.5

	DIMENSIONES (CENTIMETROS)										
	M	N	O	P	Q	R	S	T	U	V	
EST.	3.5	24.8	21.3	12.8	19.4	21.1	14.1	19.4	0.8	1.6	
ESP.	5.2	37.2	31.9	19.2	29.1	35.1	23.3	32.0	1.2	2.4	

**R-11-1a**



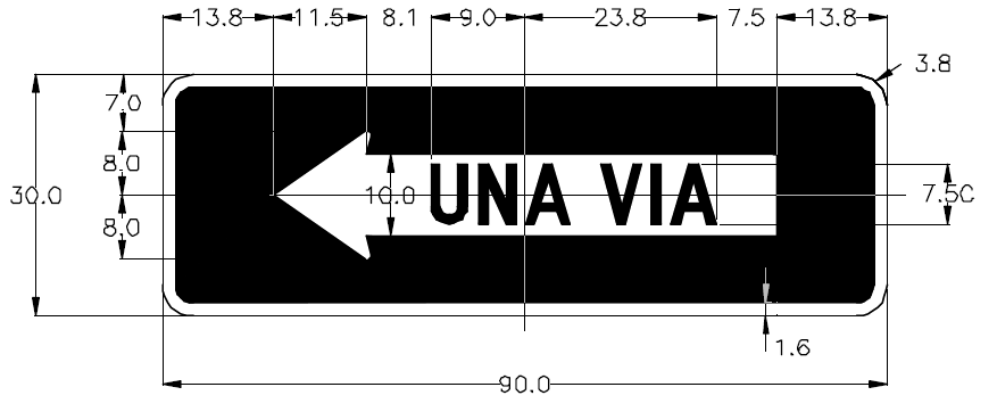
	DIMENSIONES (CENTIMETROS)										
	A	B	C	D	E	F	G	H	I	J	K
EST	91.4	61.0	3.8	0.8	1.6	4.0	47.3	4.4	10C	2.5	7.5C
ESP.	137.2	91.4	5.7	1.2	2.4	6.0	70.9	6.6	15C	3.8	12.5 C

	DIMENSIONES (CENTIMETROS)									
	L	M	N	P	Q	R	S	T	V	
EST	30.7	15.4	25.5	9.8	20.5	3.5	24.8	21.3	4.9	
ESP.	46.1	23.1	38.3	16.2	34.0	5.2	37.2	31.9	7.4	

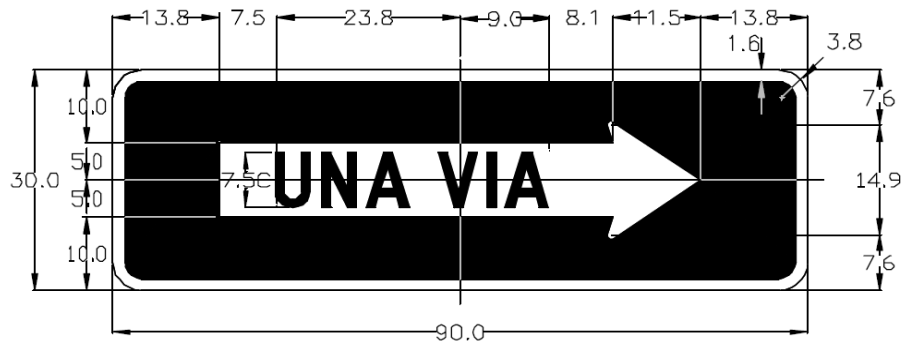


**R-11-3**

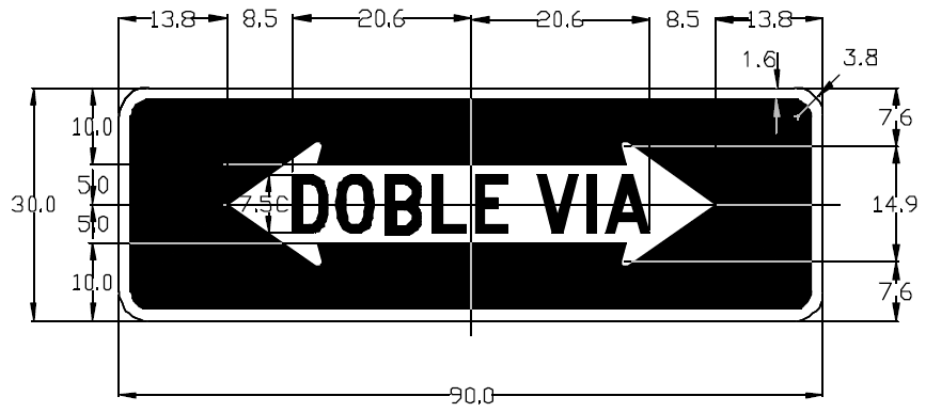
**R-15-8**



**R-15-9**

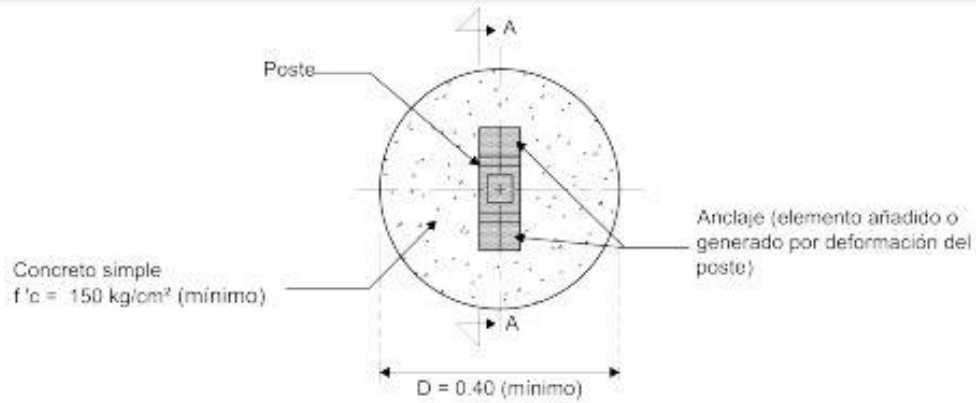


**R-15-10**

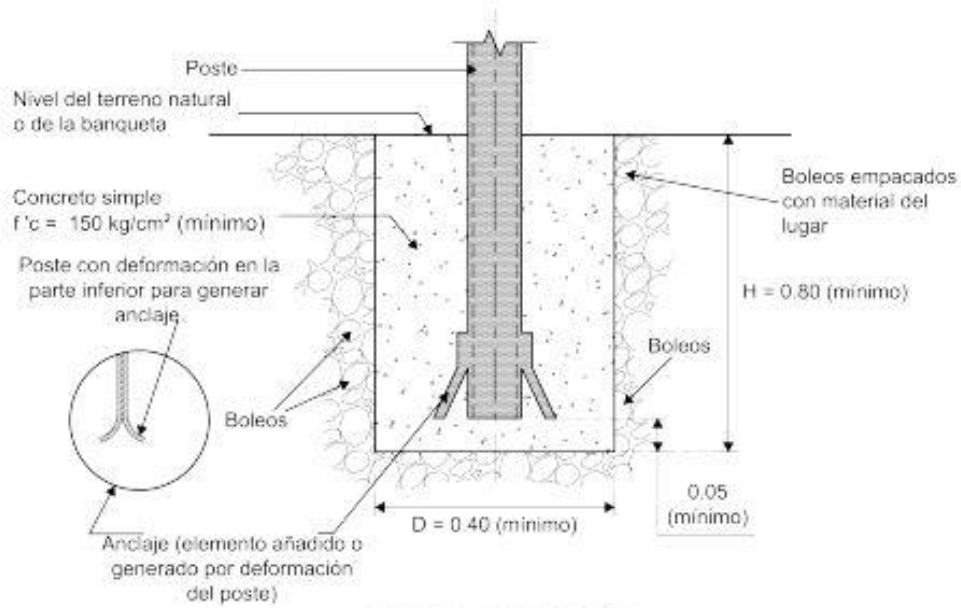




## CIMENTACION

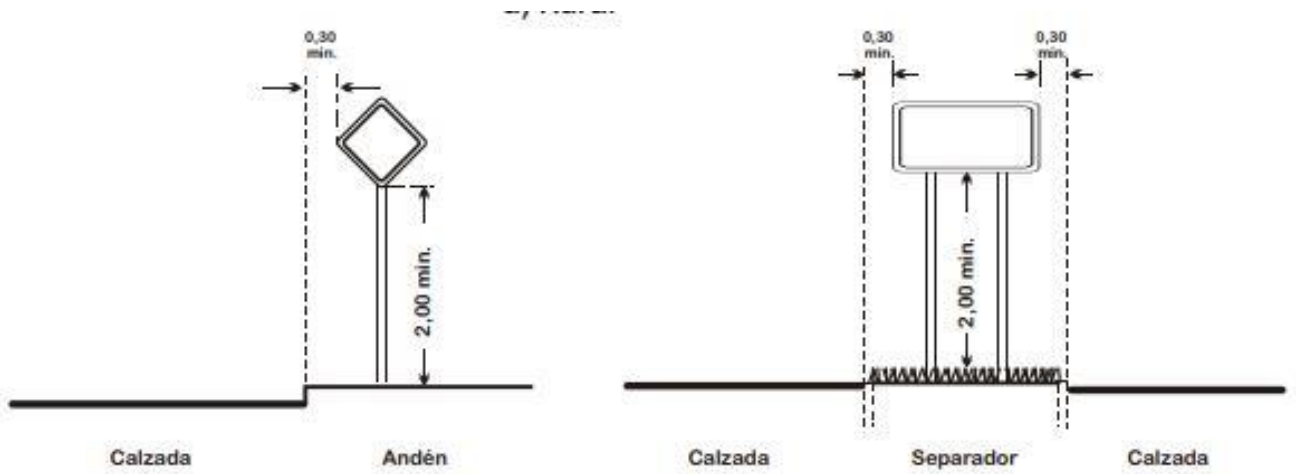


PLANTA VISTA SUPERIOR



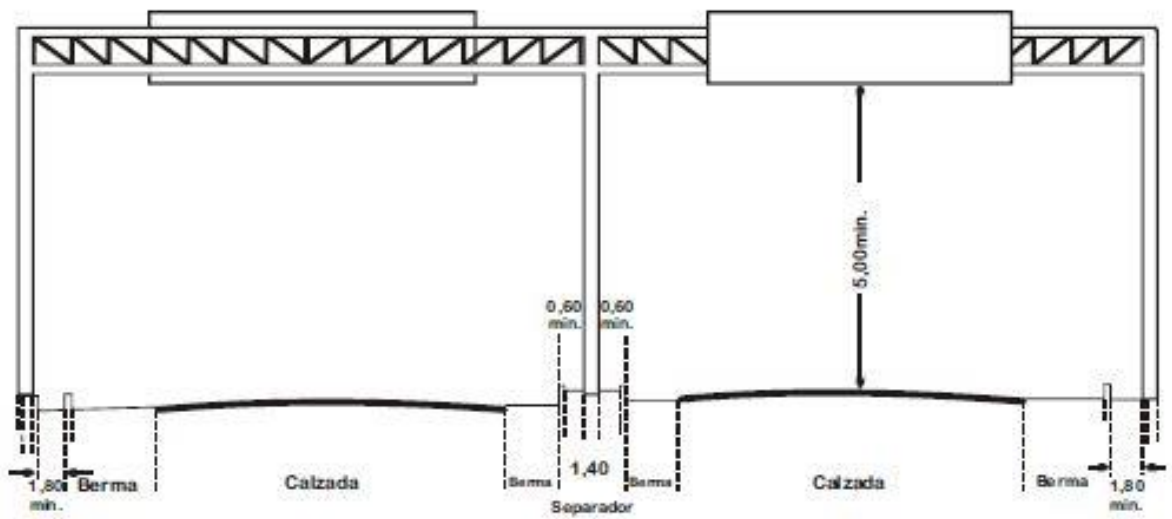
CORTE A - A ELEVACIÓN

## UBICACIÓN DE SEÑALES VERTICALES BAJAS



## UBICACIÓN DE SEÑALES VERTICALES ALTAS

d) Urbano



## TIPO DE MATERIALES RETROREFLECTIVOS

- **TIPO 3:** Conocido como de Alta Intensidad: hecho de dos capas, una exterior pigmentada y translúcida, y una interior compuesta por pequeños reflectores prismáticos. Las dos capas están unidas por una celosía (enrejado) hexagonal que le da su distintiva apariencia se panal de abejas. Es aprox. 4 veces más brillante. **Fuente:** *Anexo D, Especificaciones SIECA, Manual Centroamericano.*

## **MATERIALES UTILIZADOS EN LA FABRICACION DE PANELES**

- **Aluminio:** Los paneles de dimensión mínima (61 cm de ancho) se deben fabricar con láminas de aluminio de 1.6 mm de espesor, y los paneles de dimensión estándar. Para paneles de señales elevadas se debe utilizar aluminio de 3.2 mm de espesor. **Fuente:** *Anexo D, Especificaciones SIECA, Manual Centroamericano.*
-