

YOUR GET MORE THAN OTHER TRADITIONAL SEATINGS AT A VERY COMPETITIVE PRICE.

The ORIGIN is designed and engineered for robot performance. Its flexibility, durability and highly functional features are specially tailored to your application-driven needs.



THE ORIGIN LS-605B



FEATURES



OUTER BACK

- One-piece, injection molded, high impact polypropylene outer back with textured surface for ease of cleaning and maintenance.
- Recyclable and eco-friendly
- Optional rear book net



BACK

- Ergonomic sculpted backrest with right lumbar support enhances comfort.
- Cold molded high resilient foam for superior lifespan(Foam raw material provided by BSF-Germany-base Company)
- Foam density: $55 \pm 5\text{kg/m}^3$
- Cushion thickness: 120 mm (4.7")
- Optional two different back pleats.

FEATURES



SEAT

- Contoured seat cushion for superior comfort
- High impact polypropylene seat pan for ease of maintenance.
- Foam density: $60 \pm 5 \text{kg/m}^3$
- Cushion thickness: 100mm (3.94")
- One-piece, injection molded, high impact polypropylene seat pan
- Tip-up seat by counterweight mechanism ensures lifetime of smooth operation



ARM

- Imported hardwood armrest, 30mm (1.18") thick
- Upholstered end panel
- Optional housing writing tablet
- Available in PU armrest





OTHER OPTIONAL FEATURES

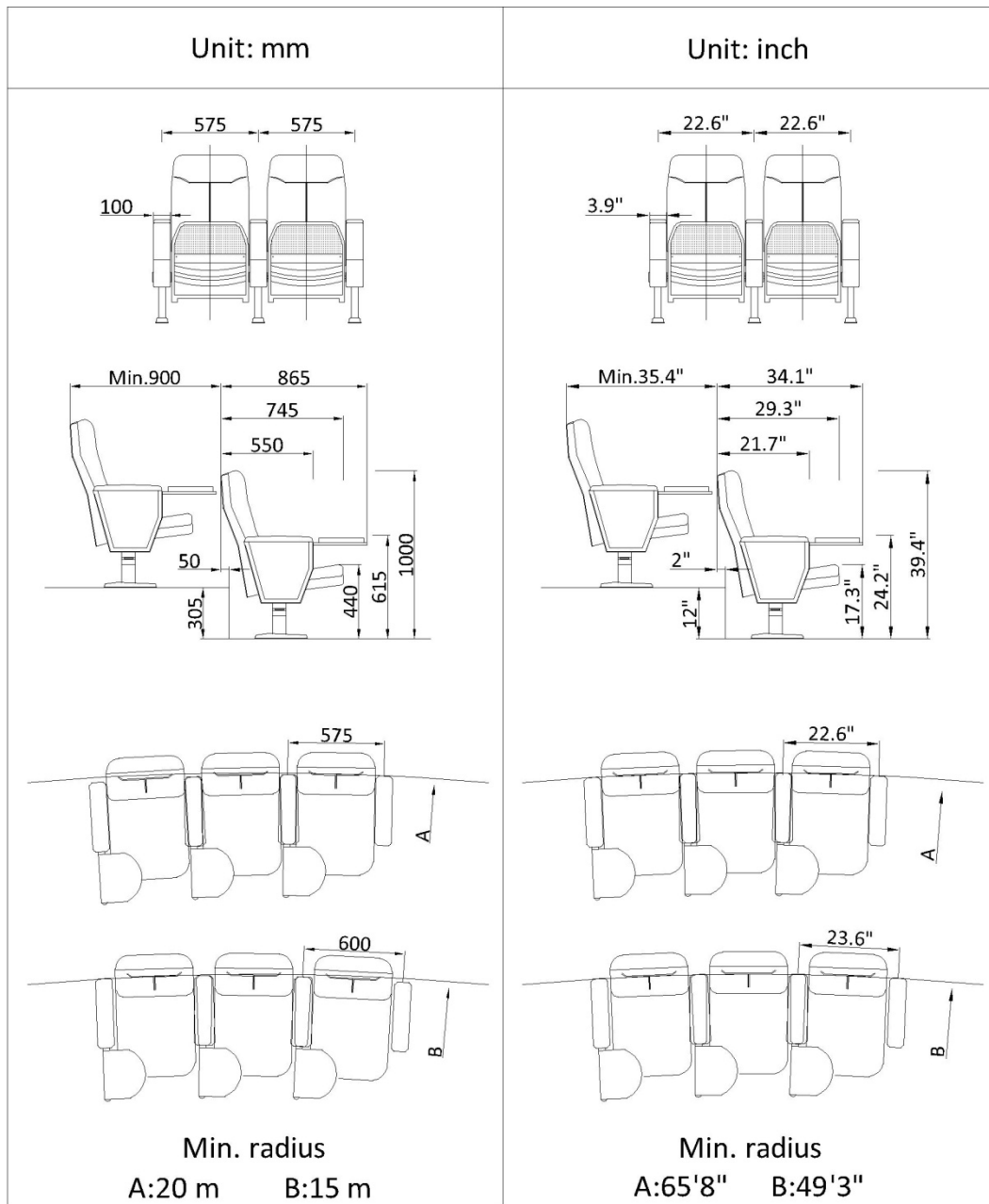
- Rear/front mount cupholder
- Row/seat number plate
- LED aisle light
- Movable base
- CA117 fire-retardant finish on fabric/foam



CERTIFICATE AND WARRANTY

- ISO 9001 and ISO 14001 certificated for ultimate product manufacture quality
- Five year warranty

DIMENSIONS



Description	MM	INCH
C/C (armrest center to center)	575	22.6
Overall seat depth with tablet open	865	34.1
Overall seat depth with tablet closed	745	29.3
Arm width	100	3.9
Armrest to rear back depth	550	21.7
Floor to seat height	440	17.3
Floor to armrest height	615	24.2
Overall back height	1000	39.4
Rear back thickness	50	2
Minimum row spacing	900	35.4

Special treatment options	<ol style="list-style-type: none"> 1. Fabric special treatment: 3M 2. Fire retardant: CA117/BS5852 3. Foam special treatment: CA117/BS5852
Standard techniques	<ol style="list-style-type: none"> 1. Structure: steel tube and plate, arc welds with continuous wire fee 2. Paint: Electrostatic epoxy powder. Finish: 60~80N/m Impact resistant: 50KG/cm 3. Upholstery: Abrasion resistance, ASTM D4966-98 (2004) 4. Polypropylene: Polypropylene copolymer IF-727 tensile strength at break Din 53445 28N/mm², impacts strength DIN 53453 NO BREAK
Raw material	<ol style="list-style-type: none"> 1. Raw material provided by BSF Germany Company 2. Foam formula introduced by European technology
Package	Units are shipped knocked-down (KD) with detailed assembly instructions for easy assembly in the field
After-sales support	<ol style="list-style-type: none"> 1. 3% free high-consuming part supply 2. On-site installation support 3. Five-year comprehensive manufacturing warranty
Minimum order quantity	Normally MOQ would be one 20GP or one 40GP, subject to the type of seating products you ordered Orders less than MOQ are still accepted base upon different shipping terms
Shipping terms	FOB GUANGZHOU for order meets MOQ EX-WORK for order less than MOQ All shipping cost would be at buyer's cost for EX-WORK order
Delivery time	25-30 days Subject to type of product and qty you order Normally 1000 seats (without woodworks) takes about 28 days, 30 days (with woodworks)